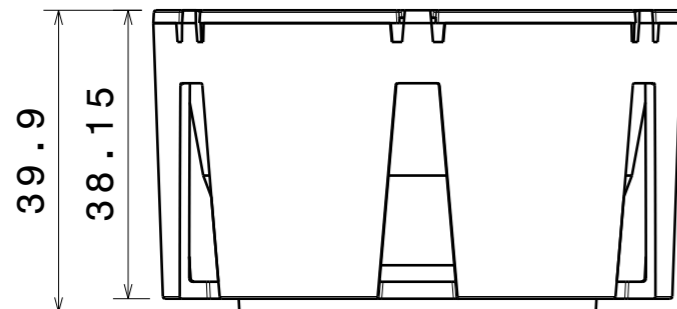
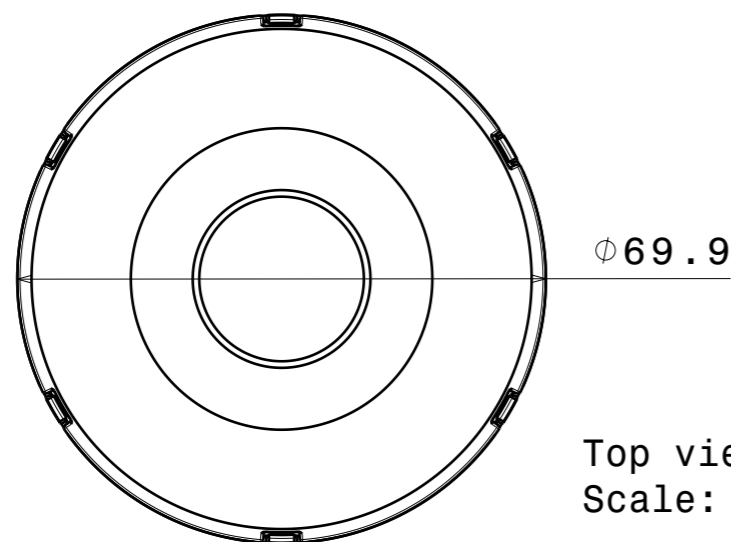


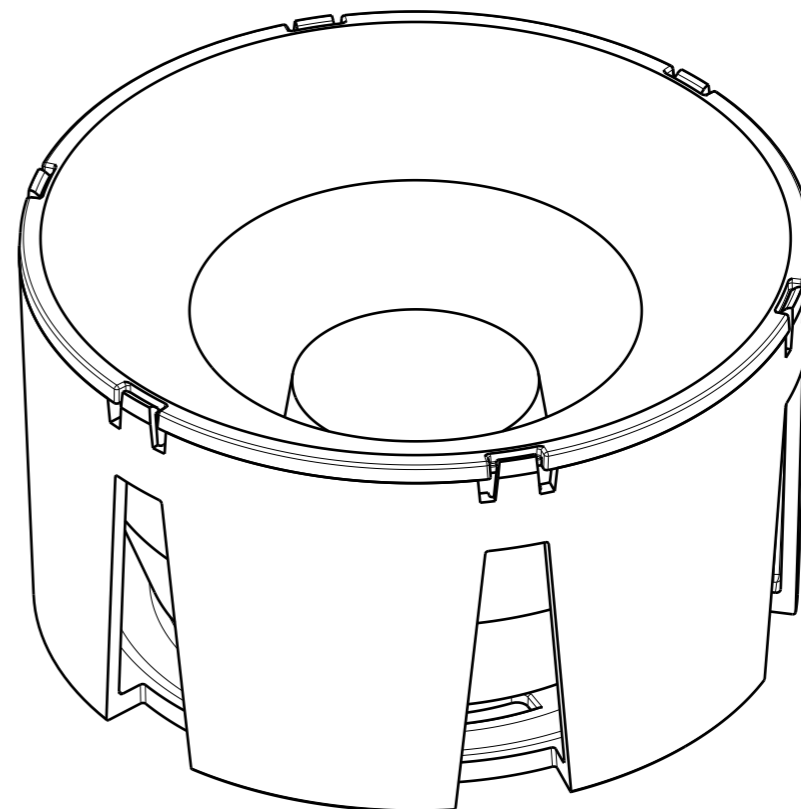
Bottom view
Scale: 1:1



Front view
Scale: 1:1



Top view
Scale: 1:1



Isometric view
Scale: 3:2

CP17574_YASMEEN-70-W-C-WHT

COMPONENTS

INDEX	PART	TYPE	MATERIAL	COLOR / COATING
1	C17560_YASMEEN-70-HLD-C-WHT		PC	white
2	C17240_Yasmeen-70-W			

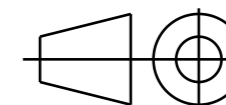
MECHANICAL DRAWING

PRODUCT
YASMEEN

LEDiL®

Plastic moulding general tolerances according to DIN 16901-130 and applies if not otherwise shown in the drawing.
Silicone moulding general tolerances according to ISO 3302-1 Class M3 and applies if not otherwise shown in the drawing.

FIRST ANGLE PROJECTION:



This drawing is the property of LEDiL Oy. It may not be copied or otherwise distributed without prior written permission from LEDiL Oy.

SCALE	3:2	WEIGHT	81.387 g	A3	SHEET 1/1
-------	-----	--------	----------	----	-----------

Notes

●	PCB or heatsink level.
●	LED location
	Ensure LED fitting from a product specific 3D model available from www.ledil.com
	For more details about installation please see LEDiL Installation Guide on www.ledil.com